

DATASHEETS

Specialized Cameras

CB-BI1241M

12MP Motorized Network IR Bullet



Key Features

- 1/1.7" Progressive Scan CMOS
- Motorized lens 4.1~12.8mm
- 20fps@12MP(4000*3000)
- Smart IR Up to 80m
- Low bitrate, Excellent low light performance
- dWDR, 3D-DNR, P-Iris
- ROI, Defog, HLC, Corridor mode, DIS
- IP66, IK10

12MP IP66 IK10 Onvif



Overview

CB-BI1241M is an intelligent bullet Camera, with embedded, multiple Video Analytics features, such as Line Crossing, Tamper, Area intrusion etc, which can offer a high-quality identification. Video analytics applications enable proactive surveillance, helping your security staff protect your property by detecting and deterring crime. The camera can, for example, detect trespassers or loiterers and automatically notify a guard through cubis software.

CB-BI1241M can meet the most demanding security and business requirements.

Specifications

Part No. 1113016

Camera	
Image Sensor	1/1.7" Progressive Scan CMOS
Effective Pixels	4000(H)×3000 (V)
Scanning System	Progressive
Electronic Shutter	1/5-1/20000s
Min. illumination	Color:0.009Lux@(F1.2, AGC ON) B/W:0Lux@(IR LED ON)
S/N Ratio	55dB
IR Range	Up to 80m
IR On/Off Control	Auto/ Manual
IR LEDs	8pcs

Lens	
Lens Type	Motorized
Iris	P-Iris
Focal Length	4.1~12.8mm
F Number	F1.53
Angle of View	98°~ 34.5°
Focus Control	Motorized
Close Focus Distance	1m

Video	
Compression	H.265, H.264, MJPEG
Max. Resolution	12MP(4000×3000)
Streaming Capability	3 Streams
Stream / Frame Rate	Stream1: 4000×3000 @20fps, 4096×2160/3840×2160/ 1920×1080/1280×720 @25/30fps Stream2: D1/VGA/640×360/CIF @25/30fps Stream3: VGA/CIF/QVGA @25/30fps
Bit Rate Control	CBR/VBR
Bit Rate	Stream1: 500kbps~16000kbps Stream2: 100kbps~6000kbps Stream3: 100kbps~3000kbps
Day/Night	ICR
Image Enhancement	HLC / Defog / dWDR
White Balance	Support
Gain Control	Auto/Manual
Noise Reduction	2D/3D DNR
Electronic Image Stabilization(EIS)	Support
Smart IR	Support
Mirror	Support
Region of Interest	Support
Motion Detection	Support
Privacy Masking	Support

Audio	
Compression	G.711 , RAW_PCM
Bit Rate	64kbps (G.711), 128kps (RAW_PCM)

Network

Protocols:	IPv4/IPv6, 802.1x, HTTP, HTTPS, TCP/IP, UDP/IP, RTSP, DHCP, NTP, RTCP/RTP, PPPoE, SMTP, DNS, UPnP, FTP, APR, SNMP
Interoperability	ONVIF
Streaming Method	Unicast
Max. User Access	10 Users
Web Viewer	<IE11, Chrome, Firefox
Smart Phone	IOS, Android

Intelligence

IVS	Perimeter, Single Virtual Fences, Double Virtual Fences, Loiter, Multi Loiter, Object Left, Object Removed, Abnormal Speed, Converse, Illegal Parking, Signal Bad
-----	---

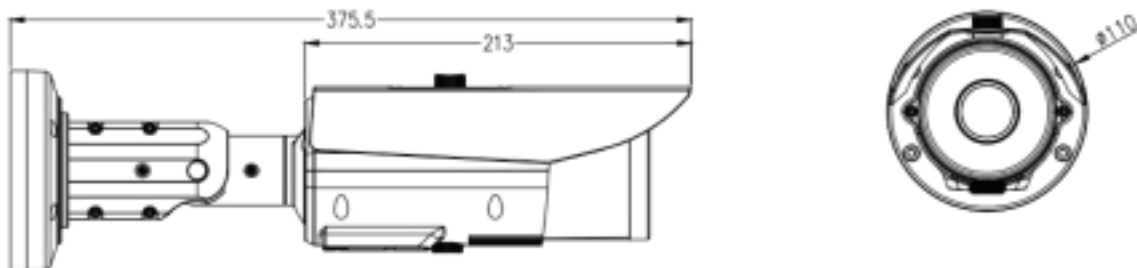
Interface

Ethernet	1 Ethernet (10/100 Base-T) RJ-45 Connector
Audio Interface	1ch Audio In, 1ch Audio Out
Alarm	1ch Alarm In, 1ch Alarm Out
RS485	Support
BNC Output	Support
Reset Button	Support
Edge Storage	Micro SD/SDHC, Max 128GB

Electrical

Power Supply	DC12V/POE
Power Consumption	5W(IR LED OFF), 8W IR LED ON
Operating Temperature	Starting Temperature: -30°C ~ 60°C Working Temperature: -40°C ~ 60°C
Operating Humidity	Less than 90% RH
Ingress Protection	IP67, IK10
Certifications	CE / FCC
Casing	Metal
Dimensions	φ110×375.5mm
Net Weight	1680g

Dimensions



CB-BI2030VA

2.1MP WDR Motorized Network IP Bullet



Key Features

- 1/2.8" Progressive Scan Cmos
- Motorized lens 2.7-12mm
- Auto Iris lens, 3D DNR
- Smart IR range up to 60m
- Low bitrate, Excellent low light performance
- True WDR > 120db
- ROI, Defog, HLC, Corridor Mode

IP66 2.1MP POE K10



Overview

CB-BI2030VA is an intelligent Bullet Camera, with embedded, multiple Video Analytics features, such as Line Crossing, Tamper, Area intrusion etc, which can offer a high quality identification. It is equipped with a 1/2.8" Progressive Scan CMOS Image Sensor and 2.7-12mm Auto Iris motorized lens, that can provide excellent image quality at up to 50 frames per second at 2.1MP resolution.

This compactly designed camera offers multiple H.265, H.264 and Motion JPEG triple streams that can be individually optimized for bandwidth and storage efficiency. CB-BI2030VA has built-in IR LEDs up to 60m and operating temperatures between -40°C to 60°C.

It is ideal for outdoor demanding usage such as parking lots, service stations where content analysis is required.

Specifications

Camera	
Part No	1113006
Image Sensor	1/2.8" Progressive Scan Cmos
Effective Pixels	1920(H)×1080(V)
Scanning System	Progressive
Electronic Shutter	1/5-1/20000s
Min. illumination	Color:0.001Lux@(F1.2, AGC ON) B/W:0Lux@(IR LED ON)
S/N Ratio	55dB
IR Range	Up to 60m
IR On/Off Control	Auto/ Manual
IR LEDs	8pcs

Lens	
Lens Type	Motorized
Iris	Auto Iris
Focal Length	2.7-12mm
F Number	F1.3
Field of View	105°~ 32°
Focus Control	Motorized
Close Focus Distance	0.2m

Video	
Compression	H.265, H.264, MJPEG
Max. Resolution	1080P(1920×1080)
Streaming Capability	3 Streams
Stream / Frame Rate	Stream1:1920×1080/1280×720 @50/60fps Stream2: D1/VGA/640×360/CIF/QVGA @25/30fps Stream3: VGA/CIF/QVGA @25/30fps
Bit Rate Control	CBR/VBR
Bit Rate	Stream1: 500kbps~12000kbps Stream2: 100kbps~6000kbps Stream3: 100kbps~3000kbps
Day/Night	ICR
Image Enhancement	HLC / Defog / WDR (>120dB)
White Balance	Support
Gain Control	Auto/Manual
Noise Reduction	2D/3D DNR
Electronic Image Stabilization (EIS)	Support
Smart IR	Support
Mirror	Support
Region of Interest	Support
Motion Detection	Support
Privacy Masking	Support

Audio	
Compression	G.711, RAW_PCM
Bit Rate	64kbps (G.711), 128kps (RAW_PCM)

Network

Protocols:	IPv4/IPv6, 802.1x, HTTP, HTTPS, TCP/IP, UDP/IP, RTSP, DHCP, NTP, RTCP/RTP, PPPoE, SMTP, DNS, UPnP, FTP, APR, SNMP
Interoperability	ONVIF
Streaming Method	Unicast
Max. User Access	10 Users
Web Viewer	<IE11, Chrome, Firefox
Smart Phone	IOS, Android

Intelligence

IVS	Perimeter, Single Virtual Fences, Double Virtual Fences, Loiter, Multi Loiter, Object Left, Object Removed, Abnormal Speed, Converse, Illegal Parking, Signal Bad
-----	---

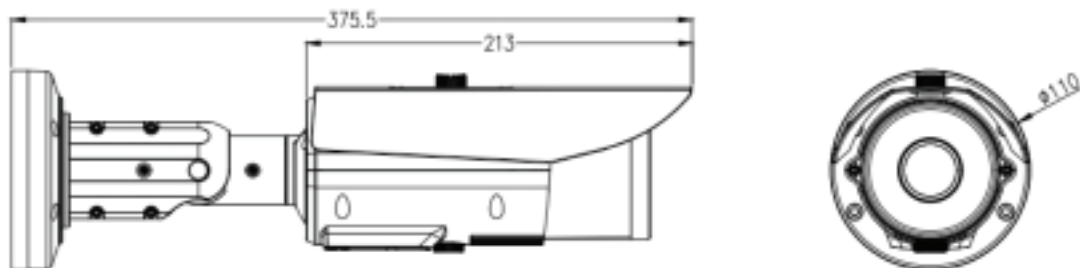
Interface

Ethernet	1 Ethernet (10/100 Base-T) RJ-45 Connector
Audio Interface	1ch Audio In, 1ch Audio Out
Alarm	1ch Alarm In, 1ch Alarm Out
RS485	Support
BNC Output	Support
Reset Button	Support
Edge Storage	Micro SD/SDHC, Max 128GB

Electrical

Power Supply	DC12V/POE
Power Consumption	5W(IR LED OFF), 8W IR LED ON
Operating Temperature	Starting Temperature: -30°C ~ 60°C (-22°F ~ 140°F) Working Temperature: -40°C ~ 60°C (-40°F ~ 140°F)
Operating Humidity	Less than 90% RH
Ingress Protection	IP66, IK10
Certifications	CE / FCC
Casing	Metal
Dimensions	φ110×375.5mm
Net Weight	1680g

Dimensions



CB-BI2030VPR

1080P ANPR Bullet Camera with Auto Iris
Motorized Lens



Key Features

- 1/2.8" Progressive Scan CMOS
- Full HD 1080P
- IR Range 60m
- 2.7-12mm Motorized lens
- License plate recognition
- More than 97% recognition rate
- Supporting EU+CIS number plates

2.1MP | POE | IP66 | IK10



Overview

- Smart IR 8 pcs with up to 60m distance range
- ROI, Defog, HLC, Corridor mode, DIS
- 3D DNR, ICR, Auto Iris
- True WDR ≥ 120 dB
- Supporting EU+CIS number plates
- License plate recognition
- Maximum recognition speed of 50km/h

Specifications

Camera	
Part No	4101010
Image Sensor	1/2.8" Progressive Scan CMOS
Min. illumination	Color:0.001Lux@(F1.2,AGC ON) B/W:0Lux@(IR LED ON)
ICR-IR Cut Filter	Yes
Shutter Time	1/5-1/20000s
Auto Iris	Yes
Wide Dynamic Range	≥120dB
Digital Noise Reduction	2D/3D
Lens Type / Length	2.7-12mm, Motorized Lens
FOV	105° ~ 32°
IR LEDs	8pcs
IR Distance	60m

Video	
Video Compression	H.265,H.264,MJPEG
Max. Resolution	1080P(1920×1080)
Streaming capability	3 Streams
Stream / Frame rate	Stream 1: 1920x1080 / 1280x720@25 / 30fps Stream 2: D1/VGA/CIF@25/30fps Stream 3: 1920x1080 / 1280x720 / D1/VGA/CIF
Bit Rate	Main Stream: 500Kbps~12Mbps / Sub Stream: 100Kbps~6Mbps
Audio Compression	G.711, RAW_PCM
HLC	Yes
9:16 Corridor Mode	Yes
Electronic image stabilization (EIS)	Yes
Region of interest	Yes
Smart IR	Yes
Mirror	Yes
Motion detection	Yes
Privacy masking	Yes

License Plate Recognition	
LPR Setting	Recognition area & Country Configurable, Black/White List Configuration
Info. Overlay	Capture time, plate info
Integration	ONVIF

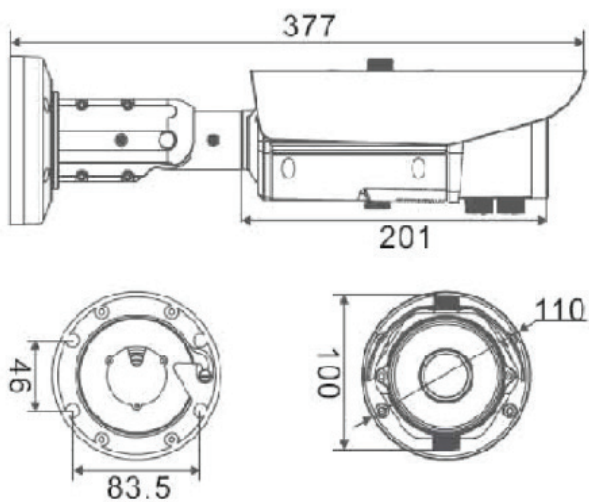
Network	
Supported Protocols	IPv4 / IPv6 / 802.1 HTTP, HTTPS, TCP/IP, UDP/IP, RTSP, DHCP, NTP, PPPoE RTCP / RTP, SMTP, DNS, UPNP, FTP, APR, SNMP
RTSP Video	Standard RFC2326, Support Quick Time / VLC Player
Security	User security authentication, Reset, Hardware WatchDog
Web Language	English, Chinese

Interface	
Ethernet	1 Ethernet (10/100 Base-T) RJ-45 Connector
Audio I/O	1ch Audio Input /Output
Alarm I/O	1ch Alarm Input /Output
RS485	N/A
BNC Output	Yes
Reset Button	Yes
Edge Storage	Micro SD, Max 128GB

Specifications

General	
Power Supply	DC12V/POE
Power Consumption	5W(IR LED OFF),8W IR LED ON
Operating Temperature	Starting Temperature: -30°C ~ 60°C (-22°F ~ 140°F) Working Temperature: -40°C ~ 60°C (-40°F ~ 140°F)
Operating Humidity	0% - 90% RH
Ingress Protection	IP66, IK10
Certifications	CE / FCC
Dimensions	φ110×375.5mm
Net Weight	1680g

Dimensions



Accessories



CB-AC946
Junction Box



CB-AC726
Pole Mount Bracket



DISTRIBUTION CENTER

4-6 Kiprou Str.,
177 78, Tavros,
Athens, Greece

T +30 210 9580887-8,

F +30 210 9580885

info@cubitech.com

www.cubitech.com