



access control system



manual control(optional)

The device integrated machinery, electronics, microprocessor control and a variety of identity recognition technology. Compatible with IC card, ID card, bar code card, fingerprints and other identification equipments.



35  
pers/min

CROSSING CAPACITY



550  
mm

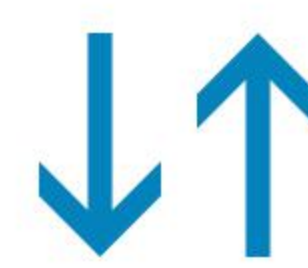
PASSAGE WIDTH



ANTI BUFFERING FUNCTION



ANTI-TAILING FUNCTION



BI-DIRECTIONAL



MOTORIZED



CAN BE CUSTOMIZED

## Parameters:

- Size: 1400\*300\*990mm
- Flap opening/closing time 0.2s
- Material: 304 # stainless steel
- Thickness:Head: 1.5mm , Cabinet:1.2mm
- MCBF: 5 million cycles
- Speed: 35 person/min adjustable
- Passage width: 550 mm
- Direction: Bi-directional
- Motor: 24V / 30W brushless.
- Infrared sensor : 3 pairs
- Adaptation humidity: 5% - 90%

1. Shell processing technology: using laser, bending, cutting, welding, polishing, polishing and other processes.
2. Adaptation temperature: -40 °C ~ 80 °C. (Need to add temperature control system).
3. Operating environment Indoor/outdoor (Shelter)

## Our Advantages

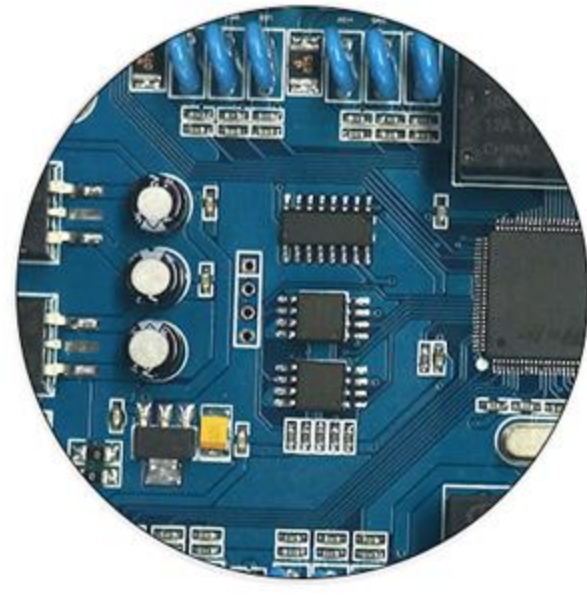
- ◆ Experience factory , all size ,thickness and appearance can be customized . OEM &ODM requirments are accepted.
- ◆ Can be connected with Access control systems ,Security Checking system . And be able to provide system integration solutions.
- ◆ Strict production process and quality control, assure of our products quality .



## Accessories:



304 # stainless steel



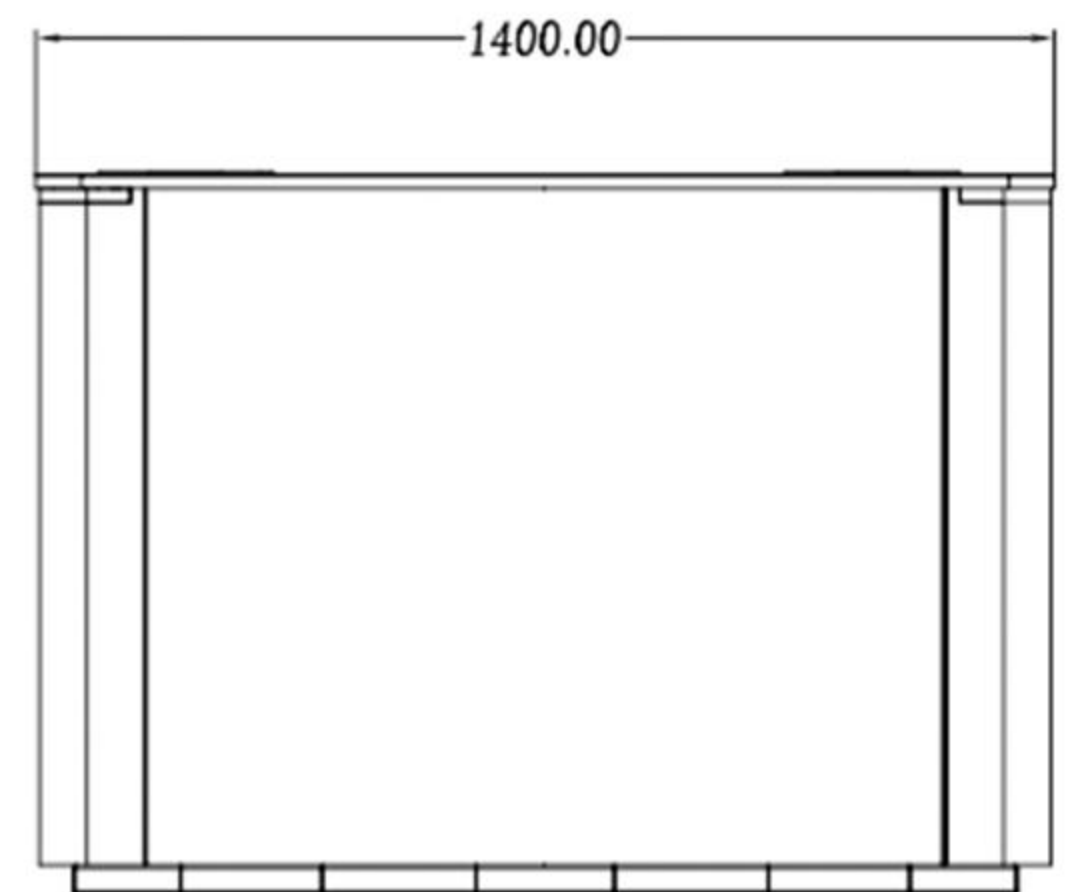
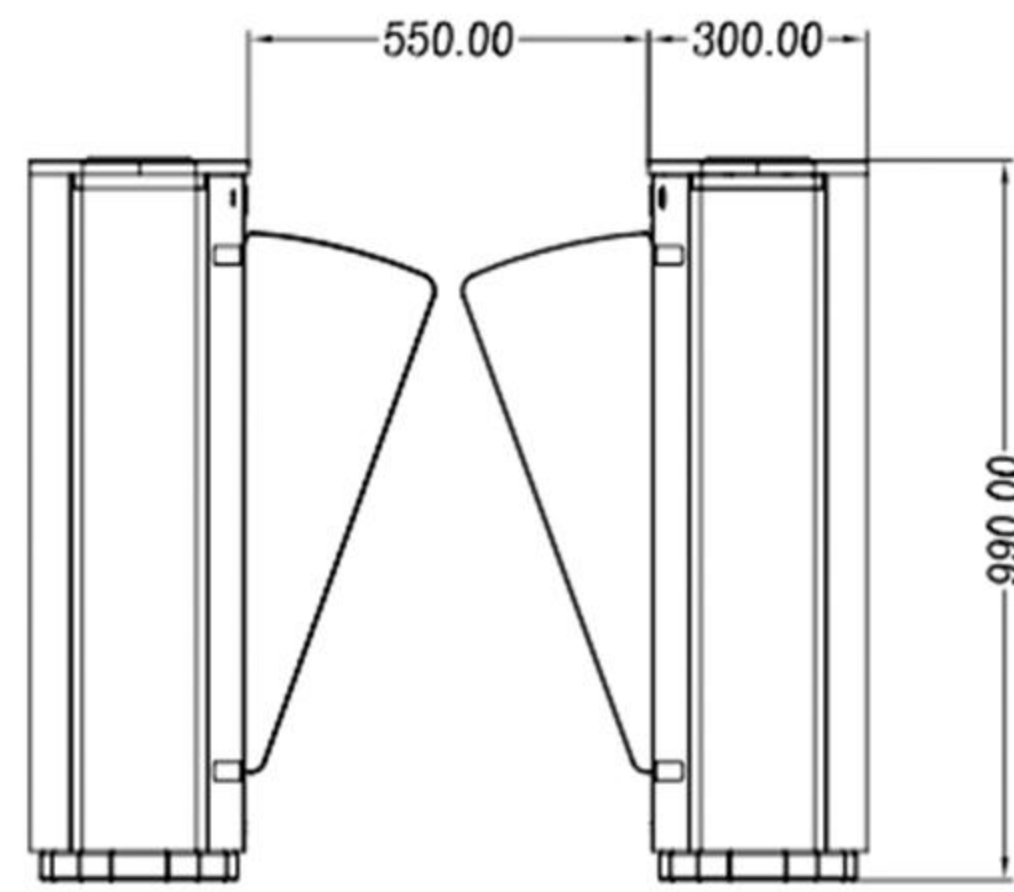
control mainboard



Motor movement



Flap Turnstile



## Packing



## Function introduction:

1. Adopt High-level full-automatic intelligent mechanism ,Brushless DC motor, System operation stable with low noise.
2. Anti-pinch and anti-collision function, Automatical control system ,Power board, Passage LED indicator ,Passage Mode setting.
3. Anti-shock function, the swing arm is automatically locked when no open signal is received.
4. The power-off the flap is automatically opened and automatically closed when it is powered, which meets the fire protection requirements.
5. with time protection and automatical reset function
6. Unified electrical interface ,Can be connected with reading and writing equipments.
7. Using standard electrical interface, it can easily integrate magnetic stripe card, barcode card, ID card, IC card, ID card and other card readers on the device.



## Use domain



Port



Airport



Train Station



Hospital



Hotel



Factory



Government



Bank

## Shenzhen Unisec Technology Co.,Ltd

Factory : 8/F Building F6, Juyin Science and Technology Industrial Park, No. 1 Ganli road, Jihua street, Longgang district, Shenzhen China



+086-0755-28793799



[www.uniqscan.com](http://www.uniqscan.com)