

# HID TripTick™ 210

## Barcode & RFID/NFC Reader



### ONE READER FOR ANY TICKET

The state-of-the-art TripTick 210 reader is designed to read RFID/NFC tickets or tokens and 1D/2D barcodes and QR codes from mobile phones, tablets, wearables, contactless cards and paper in any orientation. TripTick 210 offers an especially intuitive and quick interface for data reading and writing. It works with all popular contactless cards — including MIFARE® (Classic®, Ultralight®, DESfire®, Plus) and Calypso®.

### NO-NONSENSE INSTALLATION

TripTick 210 offers operators the ultimate no-nonsense installation. Its small footprint, low profile, slot-in design enables easy integration into kiosks, ticket machines, turnstiles and access gates. Furthermore, its rugged water-resistant construction

with no moving parts, enables it to withstand years of indoor and outdoor public access use. An option for Power over Ethernet (PoE) allows installation without a dedicated power supply. The device is also capable of RS422 connection at up to 1500m.

### PROVEN HERITAGE

TripTick 210 retains the key aspects of the size and shape of our proven LSR116 and LSR118 products, however its design delivers a significantly increased active scan area to further improve its barcode reading performance. Optimized imaging ensures read reliability and high-speed performance capturing and decoding all popular linear, PDF417 and 2D symbologies.

### APPLICATIONS

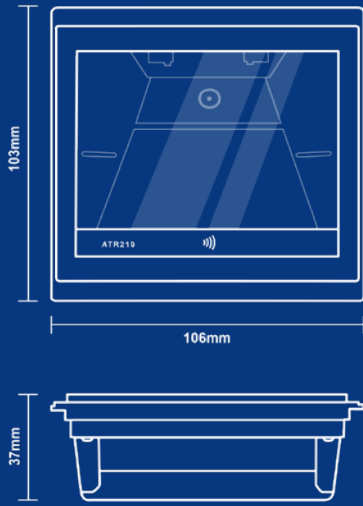
- Self-service kiosks and ticket vending machines
- Access control gates and turnstiles for stadia, building access & transportation
- Retail voucher redemption and loyalty cards
- Car park ticket machines and automatic barriers
- Casino and TITO gaming



### FEATURES:

- Contactless Capability - Works with all popular contactless cards
- Barcode Reading - Reads 2D, PDF417 and linear symbologies
- IP67 Sealed - Front face sealed for integration into indoor or outdoor kiosks and gates
- Reads Any Media - Optimized focal distance design improves read performance for all media
- Low Profile - Only 36.9mm high with a single cable connection to host computer
- Connection Options - USB (HID, serial or keyboard), RS232, RS485, Ethernet interface options
- Power Over Ethernet - Option for Power over Ethernet (PoE)
- UltraGlass® - Uprated glass option for extreme environments

# HID TripTick™ 210



## FEATURES

### Connection Types

-  USB
-  Ethernet
-  RS232
-  RS485
-  Power over Ethernet

### Technology

-  QR/Barcode
-  NFC / RFID

## HID TripTick™ 210

READING CAPABILITIES	
<b>Barcode Symbologies Read</b>	Linear: EAN, UPC, Code 2 of 5, Interleaved 2 of 5, IATA 2 of 5, Code 39, Code 128 2D: PDF417, Aztec, DataMatrix and QR codes Media types read: Smartphone/tablet/smartwatch displays and paper tickets
<b>Contactless Reader</b>	Supported media: ISO14443 type A and B cards (Java cards); max baud 424K (extendable to 848K) MIFARE Ultralight (UL-C, UL-EV1), MIFARE DESFire, MIFARE Plus, MIFARE Classic, MIFARE SmartMX Operating frequency: 13.56 MHz Operating distance: 40 mm
ELECTRONIC	
<b>Power Supply</b>	Via ext. 5V PSU
<b>Interface</b>	USB composite device, with: HID, CDC Serial or Keyboard interface for barcode reading CCID PC/SC interface for NFC Serial device, with barcode, NFC reader as separate devices (RS232/RS422/RS485) Ethernet PoE (Power Over Ethernet)
PHYSICAL	
<b>Dimensions</b>	4 x 4 x 1 in (106 x 103 x 37 mm) (Without SAM option)
<b>Weight</b>	8 oz. (250g) (Without SAM option)
<b>Body</b>	Black ABS
<b>Glass</b>	4mm Toughened White Soda Lime; BS EN60068-2-75 & IEC 62262:2002, rated to 3.5J impact
<b>MTBF</b>	250,000 hours
THERMAL (AIR)	
<b>Temperature</b>	Operating -4°F to 140°F (-20°C to 60°C)
<b>Storage</b>	-22°F to 176°F (-30°C to 80°C)
<b>Humidity</b>	95% RH, non-condensing
APPROVALS	
EMC Approvals: FCC 47CFR Part 15 Subpart B Class A, EN 55032 Class B, EN 55035 Radio: FCC Part 15 Subpart C, CE: EN 301 489-1 v2.2.0, CE: EN 300-330 v2.1.1 Safety: IEC 62471: 2006, IEC 62368-1 Ingress: IP54 certified to BS EN 60529 Front Face ONLY - Tested to IPx7	

To learn more, please contact us at: [access-is@hidglobal.com](mailto:access-is@hidglobal.com)



hidglobal.com

North America: +1 512 776 9000 | Toll Free: 1 800 237 7769  
Europe, Middle East, Africa: +353 91 506 900  
Asia Pacific: +852 3160 9800 | Latin America: +52 55 9171 1108

For more global phone numbers click [here](#)

© 2023 HID Global Corporation/ASSA ABLOY AB. All rights reserved.

2023-05-24-eat-triptick-210-reader-ds-en

PLT-06290

Part of ASSA ABLOY