

DATASHEETS

PTZ Cameras

CB-PI2030XR

2MP Network IR PTZ with 30x Optical zoom



Key Features

- 1/2.8" Progressive Scan CMOS
- 30x Optical Zoom, 16X Digital Zoom
- H.265 encoding 2MP@50fps
- WDR (120db)
- Smart IR Range 200m
- Auto Tracking, video analytics features
- Low bitrate, Good low light performance

2.0 MP IP66 IK10 30 X



Overview

Featuring powerful 30x optical zoom and accurate pan/tilt/zoom performance, CB-PI2030XR can provide large monitoring range in great detail. With Auto Tracking and embedded video analytics features CB-PI2030XR is an excellent choice for large parking lots and surveillance of wide areas.

Specifications

Part No	1136080
---------	---------

Camera

Image Sensor	1/2.8" Progressive Scan CMOS
Effective Pixels	1920(H) x 1080(V)
Scanning System	Progressive
Electronic Shutter	Auto/Manual, 1/5~1/20,000s
Min. illumination	Color:0.01Lux@(F1.2,AGC ON) ; B/W:0Lux@(IR LED ON)
S/N Ratio	55dB
IR Distance	Smart IR up to 200m
IR On/Off Control	Auto/Manual
IR LEDs	10pcs

Lens

Focal Length	4.5~135mm
Max. Aperture	F1.6~F4.4
Angle of View	H:59.8°~2.3°
Optical Zoom	30x
Focus Control	Auto/Manual
Close Focus Distance	1000mm~1500mm

Image

Pan/Tilt Range	Pan: 0° ~ 360° endless, Tilt: -10° ~ +90°
Manual Control Speed	Pan: 0.1° ~180° /s, Tilt: 0.1° ~90° /s
Preset Speed	Pan: 180° /s, Tilt: 90° /s
Presets	400
PTZ Mode	6 Track, 12 Tour, 12 Scan,
Speed Setup	Auto/Manual (0-8)
Power up Action	Support
Idle Motion	Activate Preset/ Scan/ Tour/ Track if there is no command in the specified period

Intelligence

Auto Tracking	Support
IVS	Perimeter, Single Virtual Fences, Double Virtual Fences, Loiter, Multi Loiter, Object Left, Object Removed, Abnormal Speed, Converse, Illegal Parking, Signal Bad

Audio

Compression	G.711, RAM_PCM
Bit Rate	64kbps (G.711), 128kps (RAW_PCM)

Interface

Ethernet	1 Ethernet (10/100 Base-T) RJ-45 Connector
Audio Interface	1ch Audio In, 1ch Audio Out
Alarm	7ch Alarm In, 2ch Alarm Out
RS485	Yes
BNC Output	Yes
Reset Button	Yes (Built-in)

Specifications

Video

Compression	H.265, H.264, MJPEG
Streaming Capability	3 Streams
Stream / Frame Rate	Stream1: 1920×1080/1280×720 @50/60fps Stream2: D1/VGA/640×360/CIF/QVGA @25/30fps Stream3: VGA/CIF/QVGA @25/30fps
Bit Rate Control	CBR/VBR
Bit Rate	Stream1: 500kbps~12000kbps Stream2: 100kbps~6000kbps Stream3: 100kbps~3000kbps
Day/Night	Auto(ICR) / Color / B/W
Image Enhancement	BLC/HLC/WDR(120dB)
White Balance	Auto/Tungsten/Fluorescent/Daylight/Shadow/Manual
Gain Control	Auto/Manual
Noise Reduction	2D/3D DNR
Electronic Image Stabilization (EIS)	N/A
Defog	Yes
Digital Zoom	16x
Mirror	Support
Region of Interest	Off / On (8 Zone)
Motion Detection	Off / On
Privacy Masking	Off / On (4 Area, Rectangle)

Network

Ethernet	RJ-45 (10/100Base-T)
Protocols	IPv4/IPv6, 802.1x, HTTP, HTTPS, TCP/IP, UDP/IP, RTSP, DHCP, NTP, RTCP/RTP, PPPoE, SMTP, DNS, UPnP, FTP, APR, SNMP
Interoperability	ONVIF, CGI
Streaming Method	Unicast
Max. User Access	10 Users
Edge Storage	Micro SD card slot 128GB
Web Viewer	<IE11, Chrome, Firefox
Smart Phone	IOS, Android

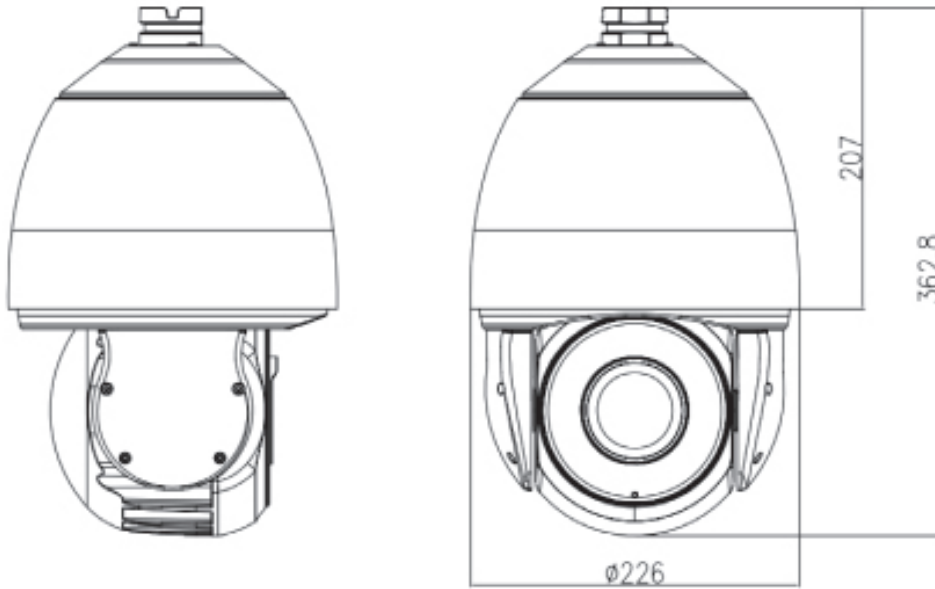
General

Power Supply	AC24V
Power Consumption	Less than 40W
Operating Temperature	Starting Temperature: -30°C ~ 60°C (-22°F ~ 140 °F) Working Temperature:-40°C ~ 60°C (-40°F ~ 140 °F)
Storage Conditions	Less than 90% RH
Ingress Protection	IP66,TVS6000V
Certifications	CE/FCC
Casing	Metal
Dimensions	Φ226×362.8mm
Net Weight	5.2Kg

Accessories

	Model	Part No
Corner mount bracket	CB-AC506	1215038
Pole mount bracket	CB-AC406	1215039
Wall mount bracket	Included	

Dimensions



CB-PI3030X-series

3MP Network IR PTZ with 30x Optical zoom



Key Features

- 1/2.8" Progressive Scan CMOS
- 30x Optical Zoom, 16X Digital Zoom
- H.265 encoding, 3MP@25fps
- WDR (120db)
- Smart IR Range up to 400m (depending on model)
- Auto Tracking, Video analytics features
- Low bitrate, Good low light performance

3.0MP IP66 IK10 30X



Overview

CB-PI3030X-series are outdoor PTZ cameras with 3MP resolution, 30X Optical Zoom and accurate pan/tilt/zoom performance, for wide area coverage and detailed surveillance at great distances. Adopting the latest starlight technology, they offer excellent low light performance.

CB-PI3030X-series are advanced True WDR cameras with Auto Tracking and embedded video analytics features, designed to meet the most demanding conditions of surveillance at any place (airports, train stations, arenas etc), where fast, precise and round-the-clock pan/tilt/zoom operation is a must.

Specifications

Camera

Image Sensor	1/2.8" Progressive Scan CMOS
Effective Pixels	2048(H) x 1536(V)
Scanning System	Progressive
Electronic Shutter	Auto/Manual, 1/5~1/20,000s
Min. illumination	Color:0.01Lux@(F1.2,AGC ON) ; B/W:0Lux@(IR LED ON)
S/N Ratio	55dB
IR Distance	Smart IR up to 200m / up to 400m for model CB-PI3030XL
IR On/Off Control	Auto/Manual
IR LEDs	6pcs (models CB-PI3030XR, CB-PI3030XP)
Laser LEDs	4pcs (model CB-PI3030XL)

Lens

Focal Length	4.5~135mm
Max. Aperture	F1.6~F4.4
Angle of View	H:59.8°~2.3°
Optical Zoom	30x
Digital Zoom	16x
Auto Iris	Yes
Focus Control	Auto/Manual
Close Focus Distance	1000mm~1500mm

Image

Pan/Tilt Range	Pan: 0° ~ 360° endless, Tilt: -10° ~ +90°
Manual Control Speed	Pan: 0.1° ~180° /s, Tilt: 0.1° ~90° /s
Preset Speed	Pan: 180° /s, Tilt: 90° /s
Presets	400
PTZ Mode	6 Track, 12 Tour, 12 Scan
Speed Setup	Auto/Manual (0-8)
Power up Action	Support
Idle Motion	Activate Preset/ Scan/ Tour/ Track if there is no command in the specified period

Intelligence

Auto Tracking	Support
IVS	Perimeter, Single Virtual Fences, Double Virtual Fences, Loiter, Multi Loiter, Object Left, Object Removed, Abnormal Speed, Converse, Illegal Parking, Signal Bad

Video

Compression	H.265, H.264, MJPEG
Streaming Capability	3 Streams
Stream / Frame Rate	Stream1: 2048×1536/1920×1080/1280×720 @25/30fps Stream2: D1/VGA/640×360/CIF/QVGA @25/30fps Stream3: VGA/CIF/QVGA @25/30fps

Specifications

General

Power Supply	AC24V / Hi-POE (for models CB-PI3030XP & CB-PI3030XL)
Power Consumption	Less than 40W
Operating Temperature	Starting Temperature: -30°C ~ 60°C (-22°F ~ 140 °F) Working Temperature: -40°C ~ 60°C (-40°F ~ 140 °F)
Storage Conditions	Less than 90% RH
Ingress Protection	IP66,TVS6000V
Certifications	CE/FCC
Casing	Metal
Dimensions	Φ226×362.8mm
Net Weight	5.2Kg
Bit Rate Control	CBR/VBR
Bit Rate	Stream1: 500kbps~12000kbps Stream2: 100kbps~6000kbps Stream3: 100kbps~3000kbps
Day/Night	Auto(ICR) / Color / B/W
Image Enhancement	BLC/HLC/WDR(120dB)
White Balance	Auto/Tungsten/Fluorescent/Daylight/Shadow/Manual
Gain Control	Auto/Manual
Noise Reduction	2D/3D DNR
Electronic Image Stabilization (EIS)	N/A
Defog	Yes
Mirror	Support
Region of Interest	Off / On (8 Zone)
Motion Detection	Off / On
Privacy Masking	Off / On (4 Area, Rectangle)

Audio

Compression	G.711, RAM_PCM
Bit Rate	64kbps (G.711), 128kps (RAW_PCM)

Network

Ethernet	RJ-45 (10/100Base-T)
Protocols:	IPv4/IPv6, 802.1x, HTTP, HTTPS, TCP/IP, UDP/IP, RTSP, DHCP, NTP, RTCP/RTP, PPPoE, SMTP, DNS, UPnP, FTP, APR, SNMP
Interoperability	ONVIF, CGI
Streaming Method	Unicast
Max. User Access	10 Users
Edge Storage	Micro SD card slot 128GB
Web Viewer	<IE11, Chrome, Firefox
Smart Phone	IOS, Android

Specifications

Interface

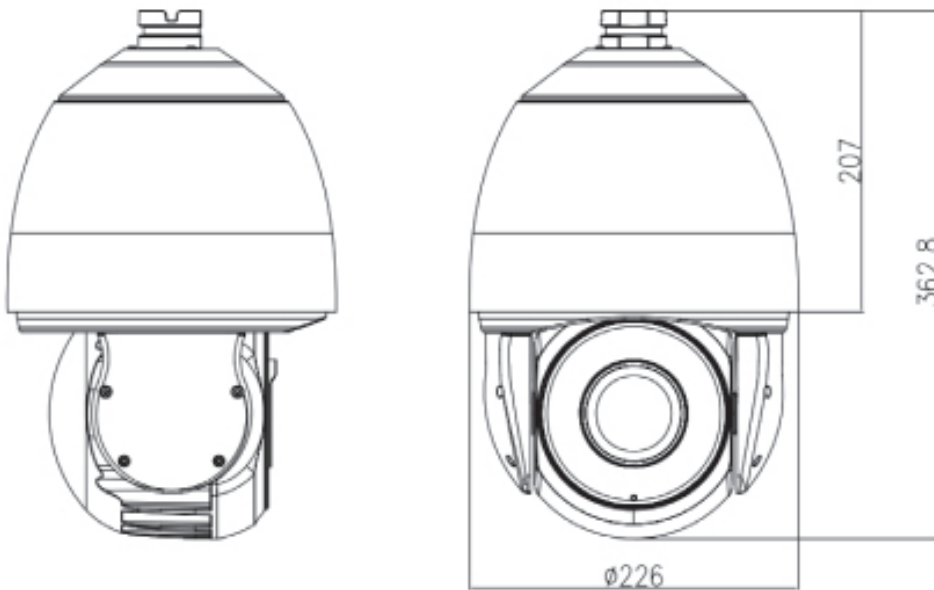
Ethernet	1 Ethernet (10/100 Base-T) RJ-45 Connector
Audio Interface	1ch Audio In,1ch Audio Out
Alarm	7ch Alarm In,2ch Alarm Out
RS485	Yes
BNC Output	Yes
Reset Button	Yes (Built-in)

Model	Part No	IR Distance	HI-POE
PI3030XR	1136046	up to 200m	—
PI3030XP	1136048	up to 200m	Yes
PI3030XL	1136050	up to 400m (Laser IRs)	Yes

Accessories

	Model	Part No
Corner mount bracket	CB-AC506	1215038
Pole mount bracket	CB-AC406	1215039
Wall mount bracket	Included	

Dimensions



CB-PI4012XR

4MP Network IR Mini PTZ with 12x Optical zoom



Key Features

- 1/2.8" Progressive Scan CMOS
- 12x Optical Zoom
- H.265 encoding, 4MP@25fps
- WDR (120db)
- Smart IR Range 100m
- Auto Tracking, Video analytics features
- Low bitrate, Good low light performance

4.0 MP IP66 12X



Overview

Featuring 12x optical zoom and 4MP resolution CB-PI4012XR can provide both large monitoring range and great image quality. CB-PI4012XR is equipped with auto tracking and several video analytics features so it can meet most of video surveillance applications requirements.

Specifications

Part No	1136027
---------	---------

Camera

Image Sensor	1/2.8" Progressive Scan CMOS
Effective Pixels	2592(H)×1520(V)
Scanning System	Progressive
Electronic Shutter	1/5-1/20000s
Min. illumination	Color:0.01Lux@(F1.2,AGC ON) ; B/W:0Lux@(IR LED ON)
S/N Ratio	55dB
IR Distance	Smart IR up to 100m
IR On/Off Control	Auto/Manual
IR LEDs	6pcs

Lens

Focal Length	4.7~56.4mm
Max. Aperture	F1.6~F3.0
Angle of View	H:60.9°~6.43°
Optical Zoom	12x
Focus Control	Auto/Manual
Close Focus Distance	300mm~1000mm

PTZ

Pan/Tilt Range	Pan: 0° ~ 360° endless, Tilt: -10° ~ 90°
Manual Control Speed	Pan: 0.1° ~180° /s, Tilt: 0.1° ~90° /s
Preset Speed	Pan: 180° /s, Tilt: 90° /s
Presets	300
PTZ Mode	6 Track, 12 Tour, 12 Scan,
Speed Setup	Auto/Manual (0-8)
Power up Action	Support
Idle Motion	Activate Preset/ Scan/ Tour/ Track if there is no command in the specified period

Intelligence

Auto Tracking	Support
IVS	Perimeter, Single Virtual Fences, Double Virtual Fences, Loiter, Multi Loiter, Object Left, Object Removed, Abnormal Speed, Converse, Illegal Parking, Signal Bad

Audio

Compression	G.711,RAW_PCM
Bit Rate	64kpbs (G.711), 128kpbs (RAW_PCM)

Interface

Ethernet	1 Ethernet (10/100 Base-T) RJ-45 Connector
Audio Interface	1ch Audio In,1ch Audio Out
Alarm	2ch Alarm In,1ch Alarm Out
RS485	Yes
BNC Output	Yes
Reset Button	Yes(Built-in)

Specifications

Video

Compression	H.265, H.264, MJPEG
Streaming Capability	3 Streams
Stream / Frame Rate	Stream1: 2560×1920/2592×1520/2560×1440/ 2048×1536/1920×1080/1280×720 @25/30fps Stream2: VGA/640×360/CIF/QVGA @25/30fps Stream3: VGA/CIF/QVGA @25/30fps
Bit Rate Control	CBR/VBR
Bit Rate	Stream1: 500kbps~12000kbps Stream2: 100kbps~6000kbps Stream3: 100kbps~3000kbps
Day/Night	Auto(ICR) / Color / B/W
Image Enhancement	BLC/HLC/WDR (120dB)
White Balance	Auto/Tungsten/Fluorescent/Daylight/Shadow/Manual
Gain Control	Auto/Manual
Noise Reduction	2D/3D DNR
Electronic Image Stabilization(EIS)	N/A
Defog	Yes
Digital Zoom	16x
Mirror	Support
Region of Interest	Off / On (8 Zone)
Motion Detection	Off / On
Privacy Masking	Off / On (4 Area, Rectangle)

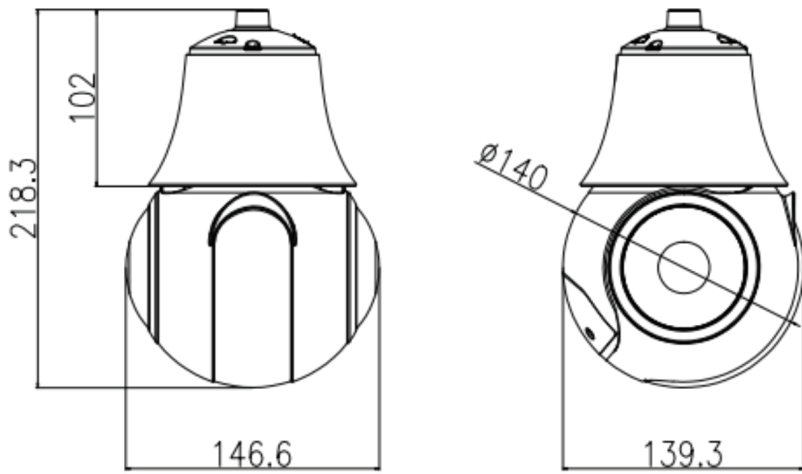
Network

Ethernet	RJ-45 (10/100Base-T)
Protocols:	IPv4/IPv6, 802.1x, HTTP, HTTPS, TCP/IP, UDP/IP, RTSP, DHCP, NTP, RTCP/RTP, PPPoE, SMTP, DNS, UPnP, FTP, APR, SNMP
Interoperability	ONVIF, CGI
Streaming Method	Unicast
Max. User Access	10 Users
Edge Storage	Micro SD card 128GB
Web Viewer	<IE11
Smart Phone	IOS, Android

General

Power Supply	DC12V/POE+
Power Consumption	Less than 25W
Operating Temperature	Starting Temperature: -30°C ~ 60°C (-22°F ~ 140 °F) Working Temperature:-40°C ~ 60°C (-40°F ~ 140 °F)
Storage Conditions	Less than 90% RH
Ingress Protection	IP66,TVS4000V
Certifications	CE/FCC
Casing	Metal
Dimensions	146.6×139.3×218.3mm
Net Weight	1.5Kg

Dimensions





DISTRIBUTION CENTER

4-6 Kiprou Str.,

177 78, Tavros,

Athens, Greece

T +30 210 9580887-8,

F +30 210 9580885

info@cubitech.com

www.cubitech.com