

# TRAFFIC FIXED BOLLARD



RELIABLE, PRACTICAL AND COST-EFFECTIVE SOLUTION TO  
PROVIDE 100% SECURITY OF YOUR TERRITORY

TiSO fixed and removable parking bollards are widely used as static barriers in order to provide vehicle access control and parking management of secured areas. Due to bollards design and wide variety of available models, this type of solution becomes a good addition to different urban architectural concepts.

Fixed parking bollards do not take anti terroristic function, but still useful to manage traffic.

TiSO bollards is a good idea in order to organize pedestrian zone or parking near malls, office buildings, public institutions, and private areas.

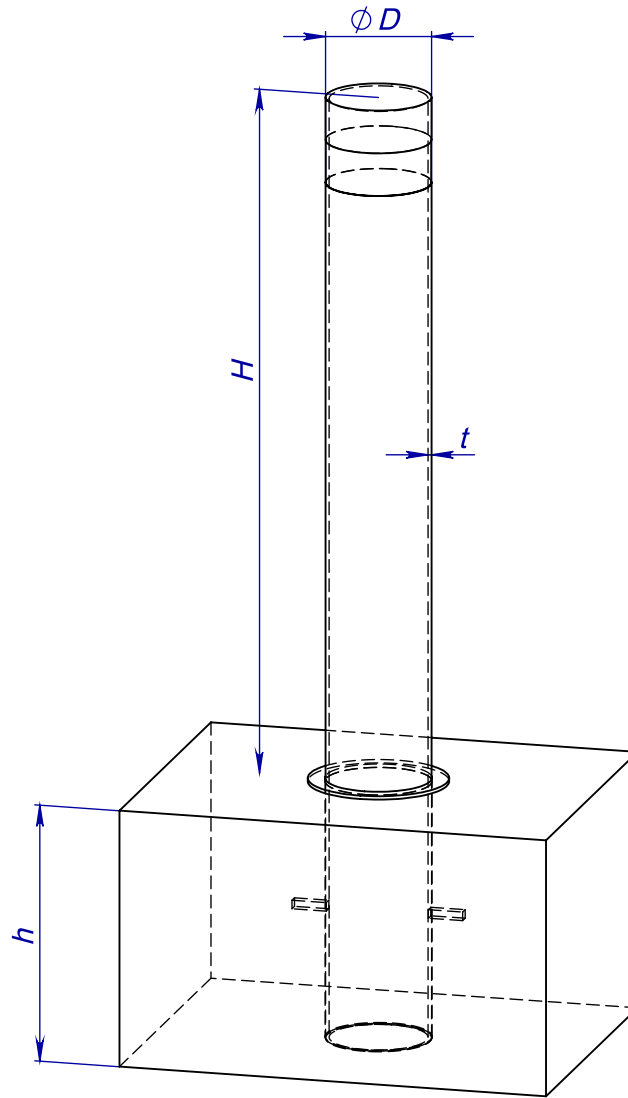
## Installation areas

- Governmental Institutions
- Military Bases
- Nuclear Power Plants
- Production sites (Industrial Plants)
- Commercial areas
- Financial institutions
- Airport Premises
- Business (Office) Center
- Hotels
- Sport Complexes
- Recreation areas
- Urban areas
- Education Institutions



www.tiso.global  
+380 (44) 291-21-11  
e-mail: sales@tiso.global

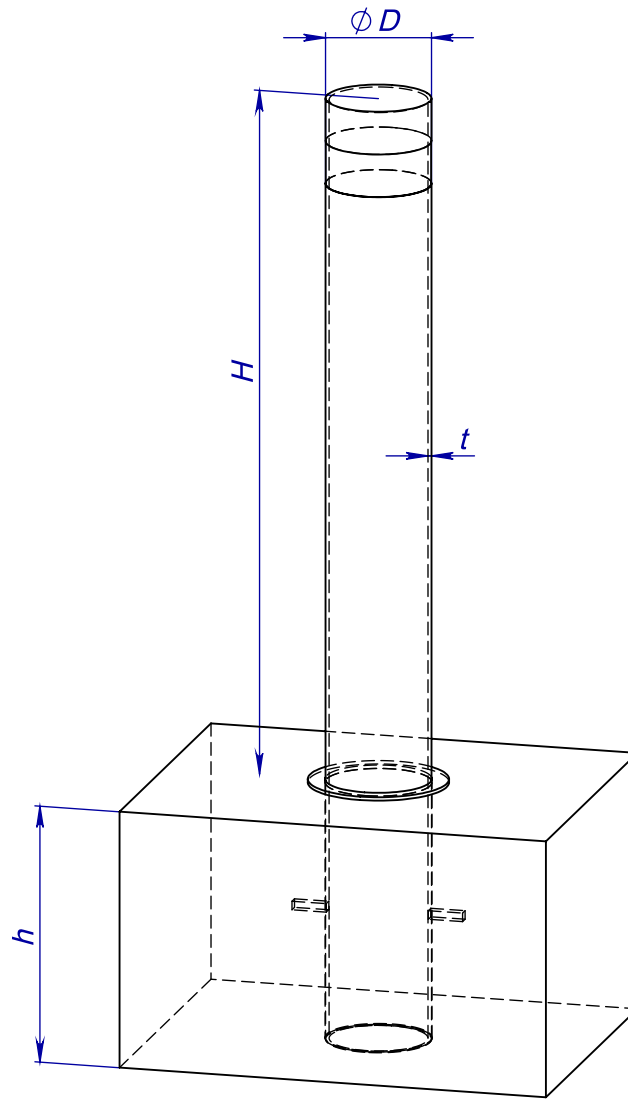




**TECHNICAL SPECS:**

| Model                      | RB344-30   | RB344-36 | RB344-39 | RB344-31 | RB344-37 | RB344-40 |
|----------------------------|--|----------|----------|----------|----------|----------|
| Cylinder diameter, mm (D)  | 114  | 220      | 273      | 114      | 220      | 273      |
| Cylinder height, mm (H)    | 600  |          |          | 800      |          |          |
| Cylinder thickness, mm (t) | 3  | 4        |          | 3        | 4        |          |
| Installation depth, mm (h) | 300  |          |          |          |          |          |
| Cylinder materials         | Brushed stainless steel AISI 304<br>Structural stainless steel AISI 316<br>Galvanized and powder coated tube (any RAL up on request) |          |          |          |          |          |





**TECHNICAL SPECS:**

| Model                      | RB344-13   | RB344-16 | RB344-19 | RB344-21 |
|----------------------------|--|----------|----------|----------|
| Cylinder diameter, mm (D)  | 324  |          |          |          |
| Cylinder height, mm (H)    | 600  | 800      | 1000     | 1200     |
| Cylinder thickness, mm (t) | 2  |          |          |          |
| Installation depth, mm (h) | 300  |          |          |          |
| Cylinder materials         | Brushed stainless steel AISI 304<br>Structural stainless steel AISI 316<br>Galvanized and powder coated tube (any RAL up on request) |          |          |          |

