


SESAME BASIC

Sesame Basic is a lighter version of Sesame turnstile. Less metal capacity allows significant cost reducing. At the same time, all core functions and features are available. Gate barrier will be a perfect fit for applications like temporary construction sites. Can be supplied both in fully welded or assembly (attractive for transportation) design.

FULL-HEIGHT TURNSTILE



MODEL OF THE FULL-HEIGHT TURNSTILE SERIES GUARANTEES FULL PROTECTION OF THE TERRITORY

 X-rotor: 510
Y-rotor: 650
mm
PASSAGE WIDTH

 20
pers/min
SINGLE ACCESS

 30
pers/min
FREE ACCESS

 IP 41-65*
PROTECTIVE LEVEL

 BI-DIRECTIONAL

Key advantages

- Highest security level
- Ease of transport and installation
- Can be supplied as fully welded or in disassembled condition which has perfect effect to transportation cost
- Depending on installation place conditions and customer's requirements can be produced of different types of material, for outside/inside applications, with Y-rotor/ X-rotor, electromechanical /servo-driven, etc.
- Low noise system operation
- Successful combination of affordable price and high quality
- Wide range of accessories
- Steadfast housing suitable for high traffic areas
- Can be integrated with any type of access control systems
- Low power consumption
- Wired remote control panel is in a standard kit
- In case of power failure, fail-secure by default (rotor locked in both directions);

Options

- Any access control systems upon request (e.g. passage counter, RFID/Proximity/BioMetric readers, coin acceptor, push button, barcode and QR-code reader)
- Option "Servo-drive" for full-height turnstile
- OEM / logo application
- U-shaped barrier rods
- Air Lock function (two-step approach) for Y-type rotor
- Heating/cooling option
- Weather pack - IP 54/IP 65
- Canopy/ Roof
- Lane light
- Ramped base mobile/ Square, perforated platform
- Ground frame for installation
- Fail-safe mode under request
- Emergency door

* available upon request



www.tiso.global
+380 (44) 291-21-11
e-mail: sales@tiso.global



Technical Specifications:

| | X-type – 90° | Y-type – 120° |
|-------------------|---|---------------|
| Unit width, mm | 1244 | 1430 |
| Unit length, mm | 1104 | 1168 |
| Unit height, mm | 2300 | 2300 |
| Passage width, mm | 510 | 650 |
| Mechanism | electromechanical (standard), servo-driven (option) | |
| MCBF, cycles | 20 000 000 - electromechanical, 10 000 000 - servo-driven | |
| Standard housing | Brushed SS AISI 304 | |
| Available housing | Brushed SS AISI 316 | |
| | Polished SS AISI 304 | |
| | Polished SS AISI 316 | |
| | Hot dip galvanized | |
| | Powder coated RAL | |



Controlled by:

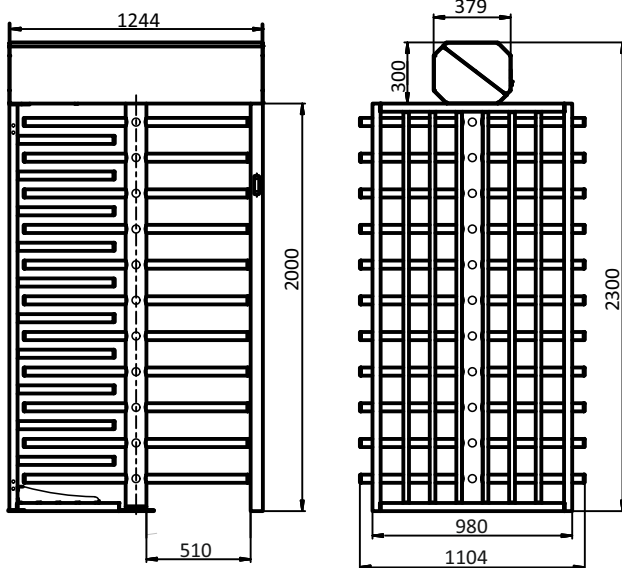
access control system;



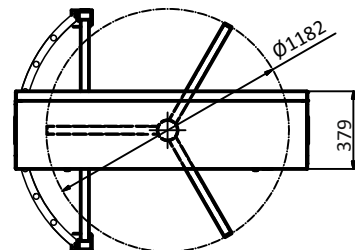
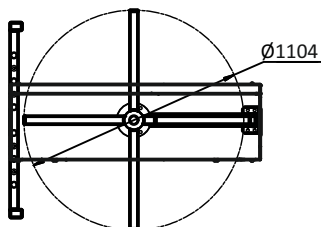
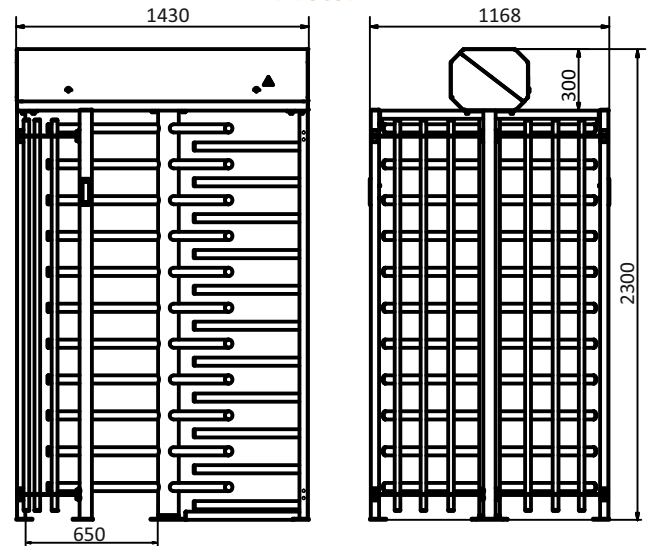
manual control

When power goes OFF both directions are locked.

X-rotor



Y-rotor



Recommended installation areas:

- Sport Complexes
- Recreation areas
- Governmental Institutions
- Production sites (Industrial Plants)
- Commercial areas
- Education Institutions
- Military Bases
- Urban areas
- Financial Institutions and others

