

PYRONICS



■ **PYR-FA-CHA-IOM** INPUT AND OUTPUT MODULE

The PYR-FA-CHA-IOM is an input and output module with an internal microprocessor supporting two-wire advanced communication and electronic coding. The module communicates with the fire alarm control panel in real-time the device status as well as receives and executes control commands from the fire alarm control panel. The module connects to 3rd party devices to either monitor or control these devices according to its wiring.

KEY FEATURES

- Modern Design and Feel
- Input or Output Connection or Input and Output Linkage
- Electronic Addressing via Handheld Programmer
- Normally Open or Normally Closed Contact
- Polarity Insensitive for Ease of Installation and Maintenance
- Front LED Indicator for Clear Viewing
- 3 Year Warranty



SPECIFICATIONS

GENERAL

Technology	Microprocessor Based
Addressing	Software Addressing
Wiring	2 Wire (Polarity Insensitive)
LED	Front LED
Base	Clips Mount Base

PERFORMANCE

Contact Rating	1 Ampere @ 30 VDC
Contact Type	NO / NC
Mounting	Surface
EMI Protection	Yes

ELECTRICAL

Operating Voltage	24 VDC
Standby Current	2 mA
Alarm Current	15 mA

MECHANICAL

Material	ABS High Impact Durable Engineered Polymer
Dimensions	86 mm x 86 mm x 41 mm (Height x Width x Depth)
Weight	148 gm (With Base)

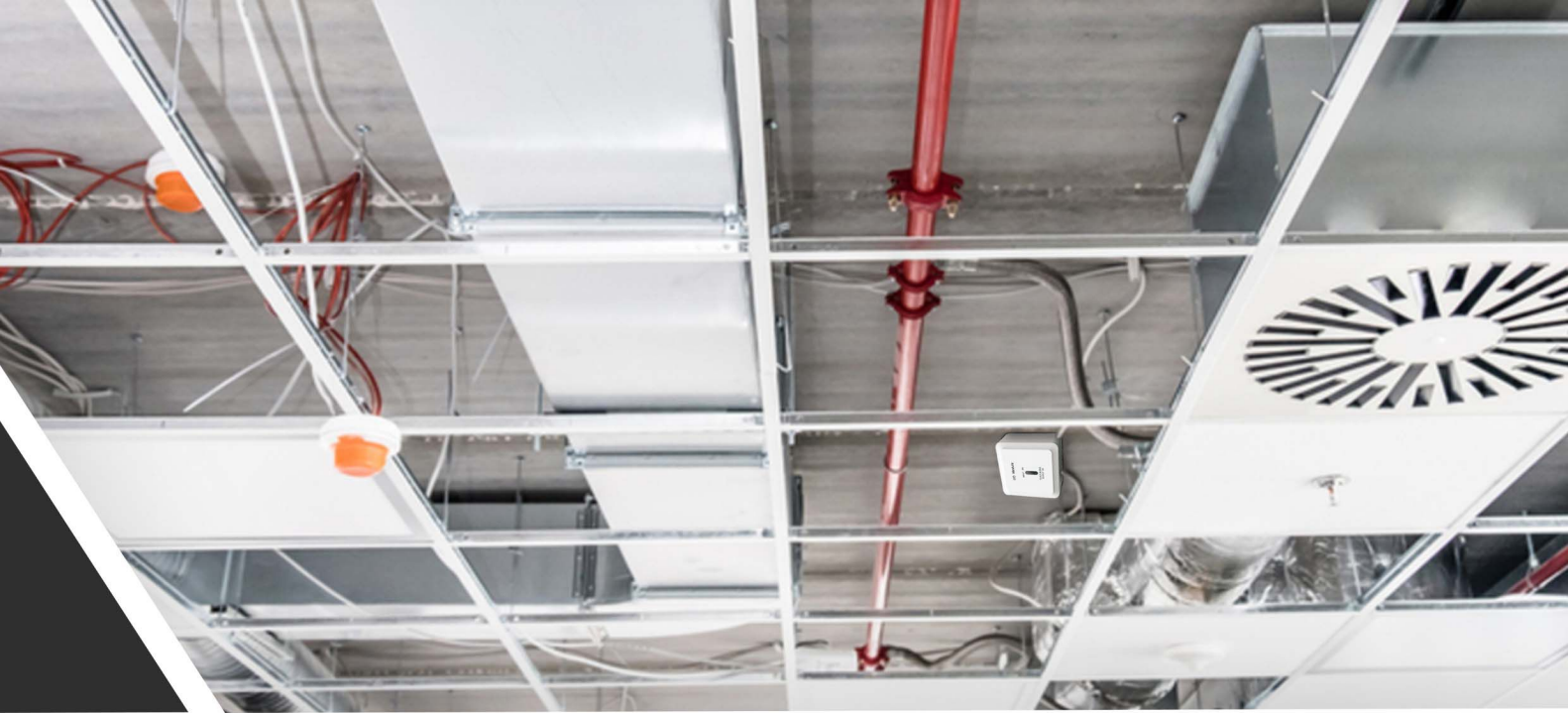
ENVIRONMENTAL

Application	Indoor
Operating Temperature	-10 °C to +55 °C
Storage Temperature	-20 °C to +60 °C
Humidity	0 to 95% (Relative Humidity)

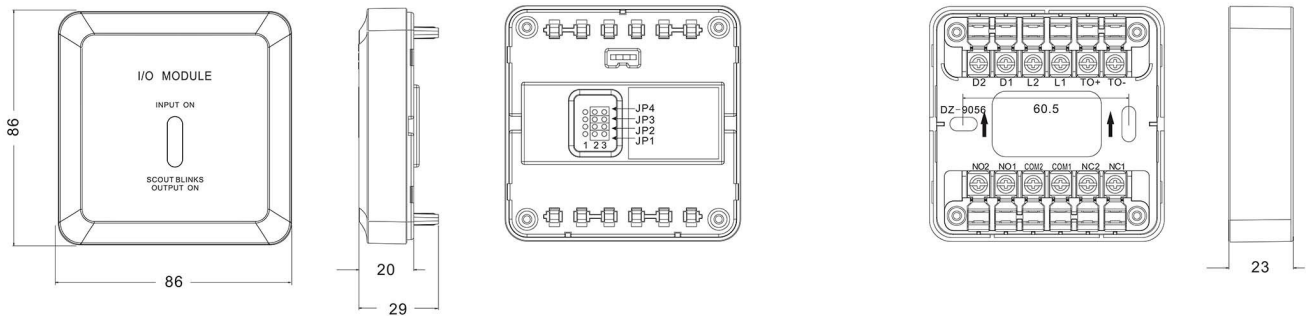
REGULATORY

Certification	LPCB according to EN54-18
Declaration	CE

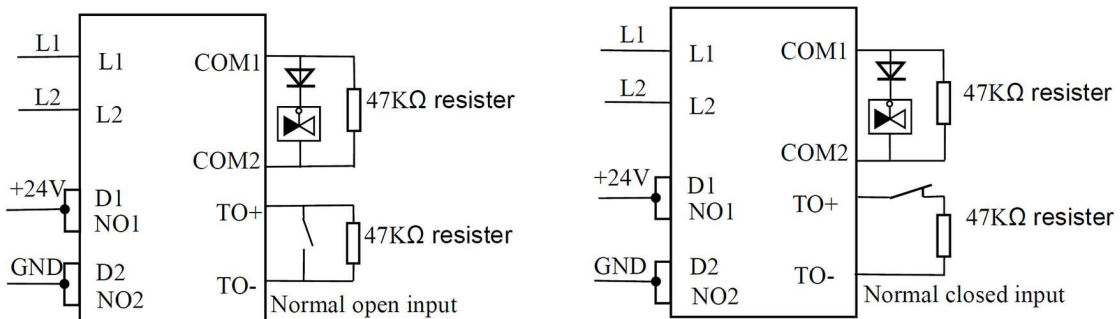




DIMENSIONS



WIRING



ORDERING INFORMATION

Model	Description
PYR-FA-CHA-IOM	INPUT AND OUTPUT MODULE

pyronics

Adkinns | 5063 Commercial Circle,
HQ | Concord, CA 94520
United States
Email | info@pyronics.us
Website | www.Pyronics.us

Pyronics warrants all its products against any and all manufacturing defects from the date of product delivery from the factory and/or distribution center. Pyronics's Challenger series has a warranty of 3 years

PYR-FA-CHA-IOM – Datasheet V.001

pyronics

©2022, Pyronics, all rights reserved . We reserve the right to change the design and specifications without prior notice. Pyronics is a life safety and property protection systems manufacturer that is fully owned by Adkinns Inc.